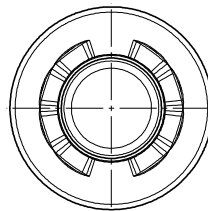
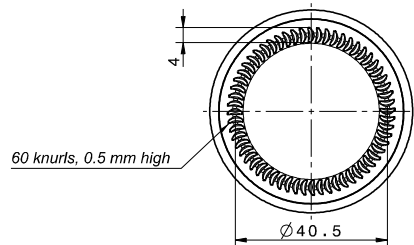
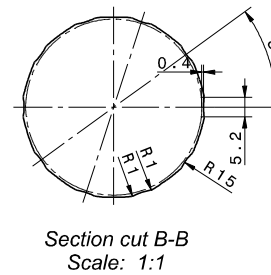
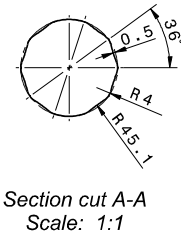
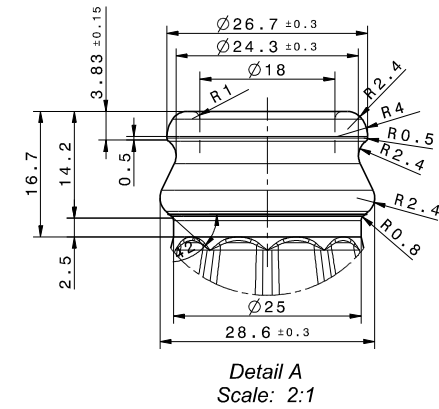
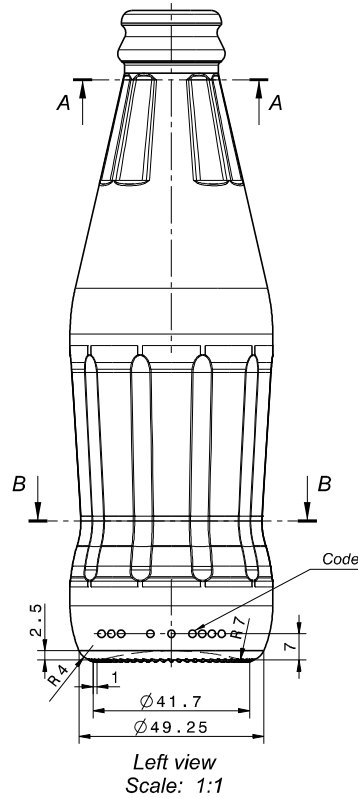
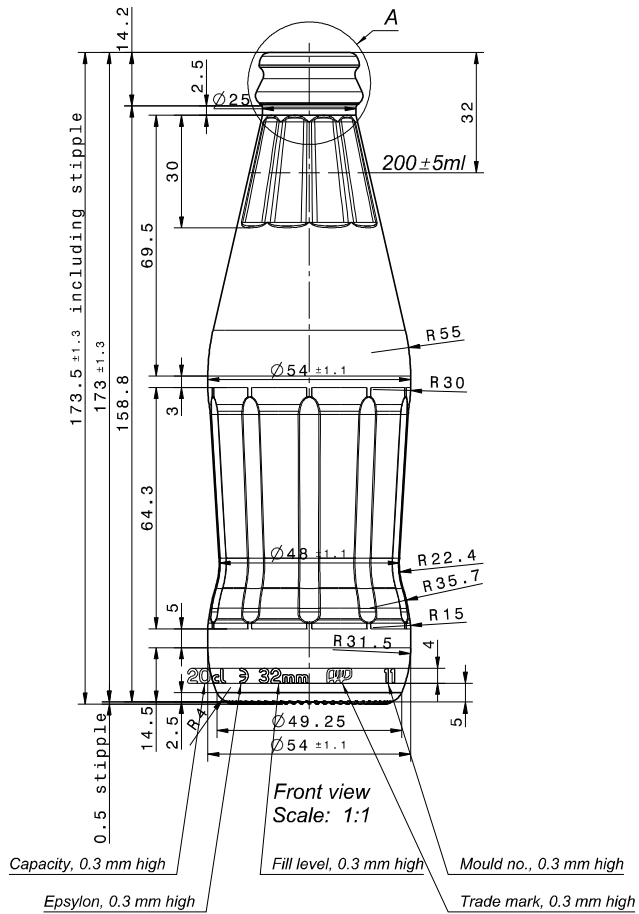
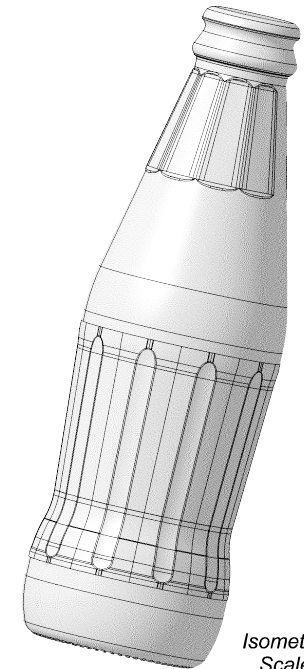


Finish type: GCMI 26-655


 Top view
 Scale: 1:1

Tip angle - 17.3°


 Isometric view
 Scale: 1:1

CAPACITY LEVEL FULL		WEIGHT		DESIGNER	DATE	FINISH #1	WALL	NOTE: DO NOT SCALE
210	ML	180	GRM	FRLJUZEC K.	20.02.14.	GCMI 26-655	3.0mm	
CAPACITY AT FILL LINE		GLASS COLOUR		Job. No.	J00000			
200 ± 5	ML			REF. No.				
FILL LINE	32 FROM TOP			TITLE	COLA 200ml			
VACUITY	4.76%							DRG.No. J00000-SPE-01-3