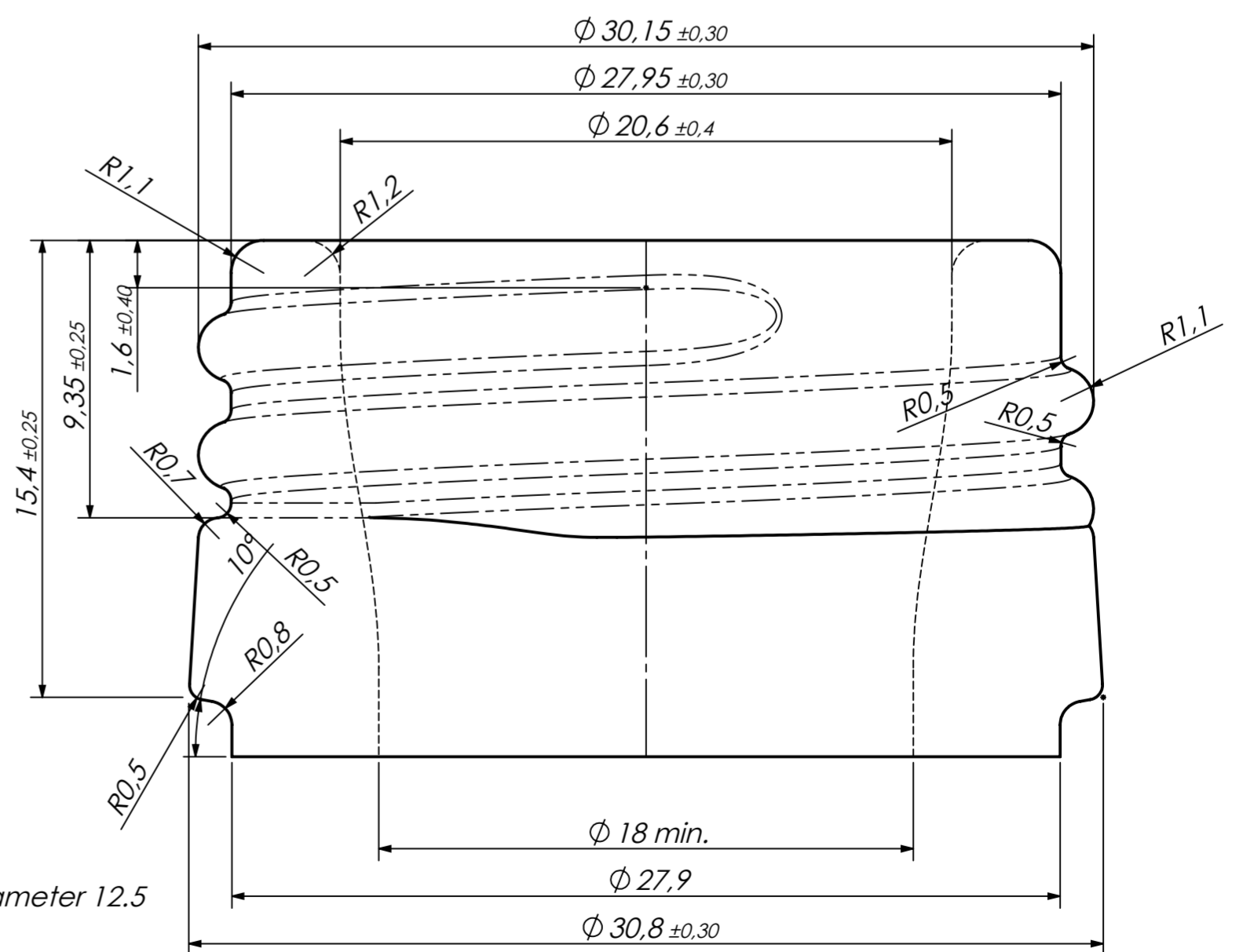
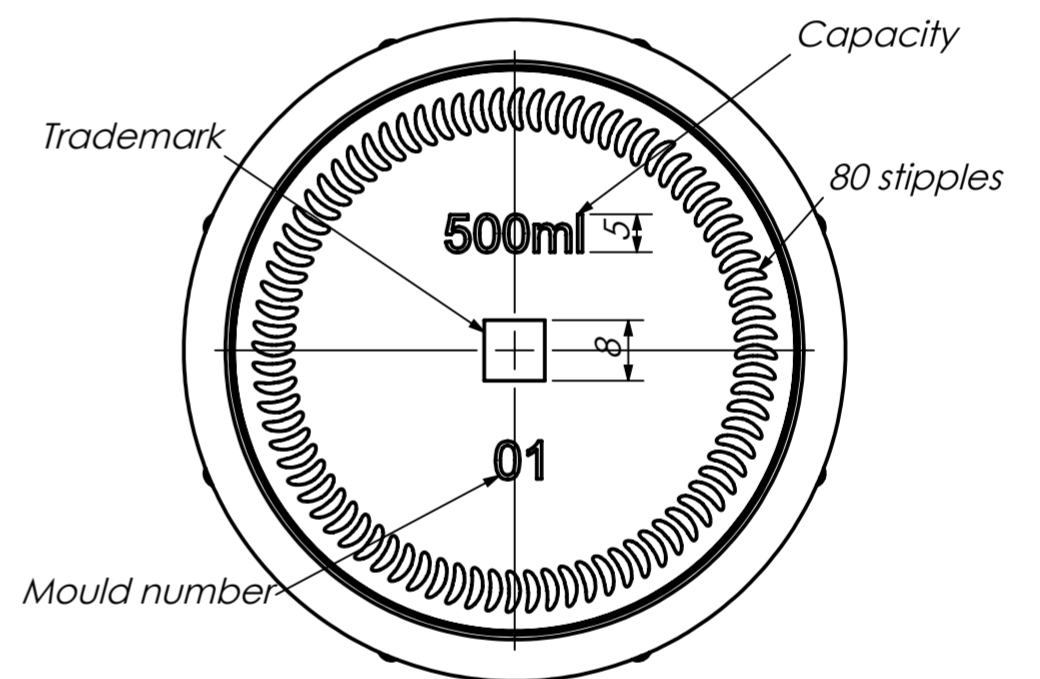
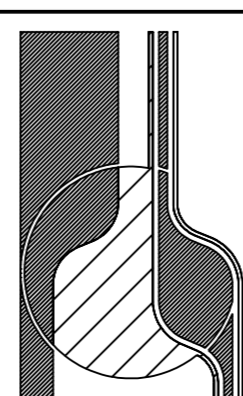


A-A



Cutter diameter 12.5
Pitch 3.63



BIEBOUW B.V.B.A.
INDUSTRIESTRAAT 17
B-8755 Ruiselede
Belgium
Tel.: +32(0)51 686714
Fax.: +32(0)51 689182
Email: info@biebouw.com

JOB NAME	500ML OIL Bottle		
CUSTOMER	Raslan		
FILLING	500ml	PROCESS	-
BRIMFULL	520ml -/+8	DRAWN BY	JBB
WEIGHT	425gr +/-20	CHECKED BY	-
FINISH	31.5Std PP Din 6094	DATE	3/06/2010
DRG. NO. BIEB340-01			