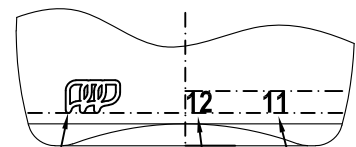


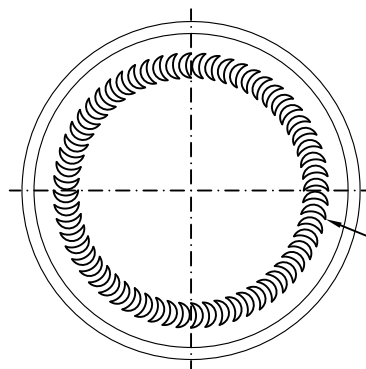
ENGRAVING IN OPPOSITE SIDE OF BOTTLE



TRADE MARK

YEAR CODE

CAVITY NO



60 CRESENT STIPPLE

**MCGI**



JOB NAME	250ml First
Item no.	53
FILLING POINT	250ML ± 5ML
BRIMFULL	261ML ± 5ML
WEIGHT	145 GR ± 5GR
FINISH	T0.38 FD 146